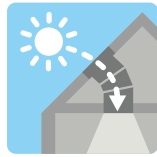
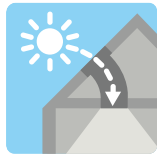


## Sun tunnels



The VELUX TWF/TLF flexi-tunnels and TWR/TLR rigid tunnels are designed to provide natural light into areas of the house such as corridors, stairwells, bathrooms, cupboards, etc where installation of a VELUX roof window is not possible.



### Features

Both systems incorporate a flat glass rooflight with \*clear and clean coating and integrated flashing, a 2m flexi or rigid tunnel, and a white trimmed double glazed acrylic ceiling diffuser.

The flexi-tunnel has a 2m long tube which is designed for relatively short distances – up to 3m in combination with the ZTR extension section – between the roof and ceiling. It can be used where installations around obstacles within the roof space is required.

The 2m long rigid tunnel should be specified when greater lengths – again in combination with ZTR extension sections – are necessary and to ensure adequate daylight levels are obtained. It is supplied with 2 x 30° bends.

TWF: flexible tunnel for tiles up to 120mm in profile

TLF: flexible tunnel for slate up to 8mm thick

TWR: rigid tunnel for tiles up to 120mm in profile

TLR: rigid tunnel for slate up to 8mm thick

\*Clear and clean coating reduces the frequency of cleaning the rooflight.



### Installation

Can be installed in tiled roofs with a maximum profile of 120mm (TWF/TWR) or slated roofs (TLF/TLR). Roof pitch 15°-60°.

### Sun tunnels – specification

#### Rooflight:

Frame/flashing – Black moulded polyurethane

Sash – Black plastic

Pane – 4mm toughened glass with \*clear and clean coating

#### Flexi-tunnel:

14" 2m x 355mm diameter metalized polyester

#### Rigid tunnel:

14" 2m x 355mm diameter aluminium with highly reflective inner surface

10" 2m x 243mm diameter aluminium with highly reflective inner surface

#### Ceiling diffuser:

Sealed double glazed acrylic

#### Ceiling trim:

White plastic

#### Additional ceiling trim effects for Sun tunnels:

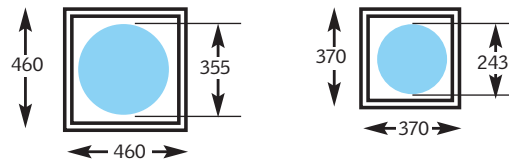
Brushed aluminium effect

Brass effect

Mahogany effect

## Section 5.01.00

# Technical data TWF/TWR (Tile)



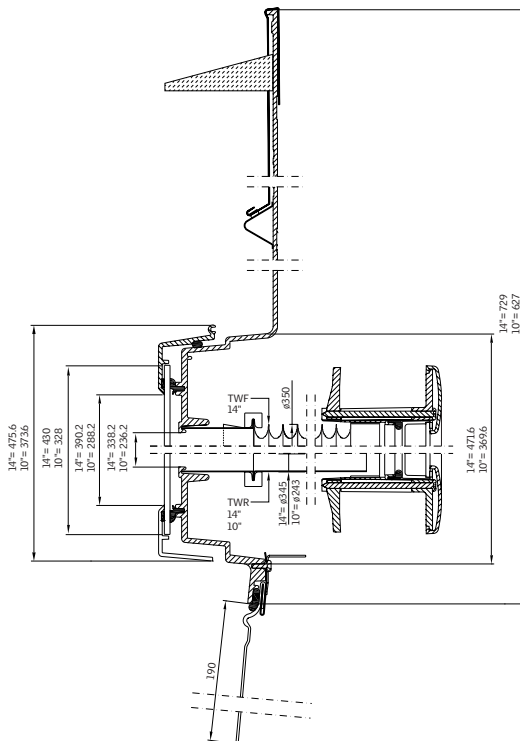
**014**  
14"

**010**  
10"

Measurements  
in mm:

Cross sections:

Vertical section



Horizontal section

