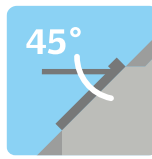


# Top hung pine finish roof window – GPL



Top-hung roof window.



GPL roof window can be installed in roof pitches between 15° and 55° (with special springs up to 75°).

Certain sizes of GPL window meet the Building Regulations for emergency escape. For further details see 2.10.00.

Emergency escape roof windows should not be fitted with locks, restrictors, shutters or any other product that will restrict their use.

## Application



Top-hung window with control bar, ventilation flap with air filter.

Windows stay open to any position up to 45°

Barrel bolt for keeping the window locked in cleaning position.

The handle at the bottom sash can keep the window in ventilation position.

## Features

The window is opened by means of a handle placed at the bottom sash.

The control bar at the top of the window sash is used for opening the ventilation flap or for fully rotating the sash for cleaning of the exterior pane.

## Operation

10 year VELUX guarantee.

## Guarantee

### GPL can be combined with:

- Flashings for**
- Single installation
  - Twin installation
  - Combi installation



### Interior sunscreening

- Blackout blinds
- Roller blinds
- Pleated blinds
- Venetian blinds



### Controls

- Rod
- Electrical



### Exterior sunscreening

- Awning blind
- Roller shutter



### Installation products

- Insulation collar
- Underfelt collar
- Vapour barrier



### Additional accessories

- Insect screen



## Combinations

### Interior variants:

Pine with double lacquer finish or white paint finish

## Variants

### Cladding variants:

Grey aluminium, titanium zinc, copper or other cladding types and colours

### Pane variants:

(--59) Toughened outer pane

(--73) Toughened outer pane with clear and clean coating and laminated inner pane for additional safety

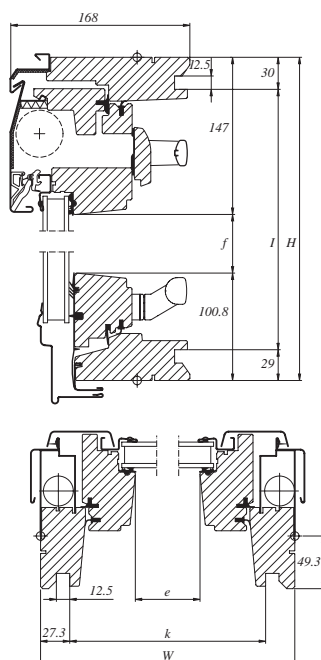
For more pane variants see section 8.

# Technical data – GPL

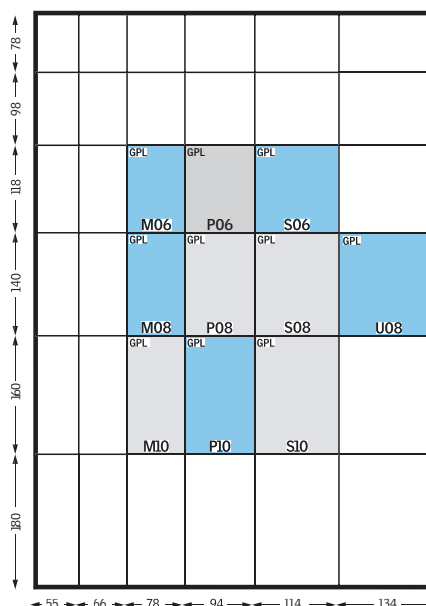
## Measurements (mm)

| Size | Exterior frame<br>W x H | Visible glass<br>e x f | Lining rebate<br>k x l |
|------|-------------------------|------------------------|------------------------|
| M06  | 780 x 1178              | 603 x 930              | 725 x 1119             |
| M08  | 780 x 1398              | 603 x 1150             | 725 x 1339             |
| M10  | 780 x 1600              | 603 x 1352             | 725 x 1541             |
| P06  | 942 x 1178              | 765 x 930              | 887 x 1119             |
| P08  | 942 x 1398              | 765 x 1150             | 887 x 1339             |
| P10  | 942 x 1600              | 765 x 1352             | 887 x 1541             |
| S06  | 1140 x 1178             | 963 x 930              | 1085 x 1119            |
| S08  | 1140 x 1398             | 963 x 1150             | 1085 x 1339            |
| S10  | 1140 x 1600             | 963 x 1352             | 1085 x 1541            |
| U08  | 1340 x 1398             | 1163 x 1150            | 1285 x 1339            |

## Cross-section/measurements (mm)



## Sizes (cm)



VELUX GB/Ireland product programme

## Technical data

| Size   | M06▲ | M08▲ | M10▲ | P06▲ | P08▲ | P10▲ | S06▲ | S08▲ | S10▲ | U08▲ |
|--|------|------|------|------|------|------|------|------|------|------|
| Ventilation flap – free area [10 <sup>3</sup> mm <sup>2</sup> ]        | 4.3  | 4.3  | 4.3  | 5.4  | 5.4  | 5.4  | 6.8  | 6.8  | 6.8  | 8.1  |
| Ventilation flap – equivalent area [10 <sup>3</sup> mm <sup>2</sup> ]* | 3.7  | 3.7  | 3.7  | 4.6  | 4.6  | 4.6  | 5.6  | 5.6  | 5.6  | 6.6  |
| Ventilation – open window [m <sup>2</sup> ]                            | 0.69 | 0.84 | 0.98 | 0.85 | 1.04 | 1.21 | 1.05 | 1.28 | 1.49 | 1.52 |
| Effective daylight area [m <sup>2</sup> ]                              | 0.56 | 0.69 | 0.82 | 0.71 | 0.88 | 1.03 | 0.90 | 1.11 | 1.30 | 1.34 |

\*Measured to EN 13141-1

▲ Suitable for emergency escape.

| Pane variant   | --59    | --73    | EN/ISO Standard           |
|--|---------|---------|---------------------------|
| Thermal transmittance, U <sub>w</sub> [W/m <sup>2</sup> K] | 14      | 14      | EN ISO 12567-2            |
| Sound insulation, R <sub>w</sub> [dB]                      | 32      | 35      | EN ISO 140-3/EN ISO 717-1 |
| Air permeability   | Class 3 | Class 3 | EN 12207                  |
| Light transmittance, τ <sub>v</sub>                        | 0.77    | 0.77    | EN 410                    |
| Total solar energy transmittance, g                        | 0.60    | 0.54    | EN 410                    |