

Top-hung white polyurethane finish roof window – GHU



Top-hung roof window with timber core and two coats of white polyurethane lacquer finish.



GHU roof window can be installed in roof pitches between 15° and 55° (with special springs up to 75°).

The maintenance free polyurethane surface makes the window resistant to humidity and condensation. It is therefore ideal for kitchens, bathrooms, shower rooms, etc.

Some sizes of GHU meet Building Regulation requirements for emergency escape. Please refer to 2.10.00 for further details.

Emergency escape roof windows should not be fitted with locks, restrictors, shutters or any other product that will restrict their use.

Application



Top-hung window with control bar. Ventilation flap with air filter.

Opens in three set positions 5°, 15° and 30°. Barrel bolt keeps the window locked in cleaning position.

The handle at the bottom frame can keep the window locked in ventilation position.

The smooth surface is without joints and edges, making the roof window very easy to clean.

Features

The window can be opened by means of a handle placed at the bottom sash.

The control bar at the top of the window sash is used for opening the ventilation flap or fully rotating the sash for cleaning of the exterior pane.

Operation

10 year VELUX guarantee.

Guarantee

GHU can be combined with:

Flashings for

- Single installation
- Twin installation
- Combi installation



Interior sunscreening

- Blackout blinds
- Roller blinds
- Pleated blinds
- Venetian blinds



Controls

- Electrical



Exterior sunscreening

- Awning blind
- Roller shutter



Installation products

- Insulation collar
- Underfelt collar
- Vapour barrier



Additional accessories

- Insect screen



Combinations

Interior variants:

Timber core with two coats of white polyurethane lacquer finish

Variants

Cladding variants:

Grey aluminium, titanium zinc, copper or other cladding types and colours

Pane variants:

(--59) Toughened outer pane

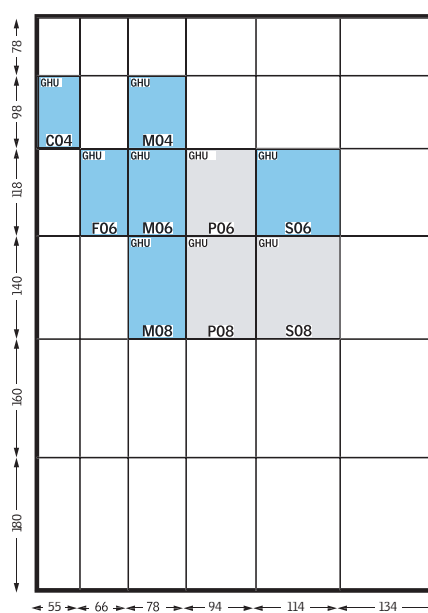
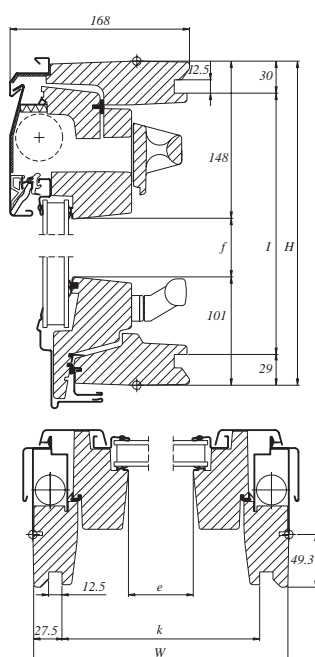
For more pane variants see section 8.

Technical data – GHU

Measurements (mm)

Size	Exterior frame W x H	Visible glass e x f	Lining rebate k x l
C04	550 x 978	371 x 729	495 x 919
F06	660 x 1178	481 x 929	605 x 1119
M04	780 x 978	601 x 729	725 x 919
M06	780 x 1178	601 x 929	725 x 1119
M08	780 x 1398	601 x 1149	725 x 1339
P06	942 x 1178	763 x 929	887 x 1119
P08	942 x 1398	763 x 1149	887 x 1339
S06	1140 x 1178	961 x 929	1085 x 1119
S08	1140 x 1398	961 x 1149	1085 x 1339

Cross-section/measurements (mm)



Sizes (cm)

VELUX GB/Ireland product programme

Technical data

	Size	C04	F06	M04	M06▲	M08▲	P06▲	P08	S06▲	S08▲
Ventilation flap – free area [10 ³ mm ²]		2.8	3.5	4.3	4.3	4.3	5.4	5.4	6.8	6.8
Ventilation flap – equivalent area [10 ³ mm ²]*		2.6	3.1	3.7	3.7	3.7	4.6	4.6	5.6	5.6
Ventilation – open window [m ²]		0.35	0.57	0.55	0.69	0.84	0.85	1.04	1.05	1.28
Effective daylight area [m ²]		0.27	0.45	0.44	0.56	0.69	0.71	0.88	0.89	1.10

*Measured to EN 13141-1

▲ Suitable for emergency escape.

Pane variant	--59	EN/ISO Standard
Thermal transmittance, U _w [W/m ² K]	1.4	EN ISO 12567-2
Sound insulation, R _w [dB]	32	EN ISO 140-3/EN ISO 717-1
Air permeability	Class 3	EN 12207
Light transmittance, τ _v	0.77	EN 410
Total solar energy transmittance, g	0.60	EN 410