

Top-hung pine finish roof window – GHL



Top-hung roof window.



GHL roof window can be installed in roof pitches between 15° and 55° (with special springs up to 75°).

The bottom edge of the window must be placed approx. 0.90 – 1.20m above the floor.

Top-hung window with control bar, ventilation flap with air filter, three different opening positions, 5°, 15° and 30°, barrel bolt for keeping the window locked in cleaning position, handle at the bottom sash can keep the window locked in ventilation position.

The window is opened by means of a handle placed at the bottom sash.

The control bar at the top of the window sash is used for opening the ventilation flap or for fully rotating the sash for cleaning of the exterior pane.

10 year VELUX guarantee.

Application

Features

Operation

Guarantee

GHL can be combined with:

- Flashings for**
- Single installation
 - Twin installation
 - Combi installation



Interior sunscreening

- Blackout blinds
- Roller blinds
- Pleated blinds
- Venetian blinds



- Controls**
- Rod
 - Electrical



Exterior sunscreening

- Awning blind
- Roller shutter



- Installation products**
- Insulation collar
 - Underfelt collar
 - Vapour barrier



Additional accessories

- Insect screen



Combinations

Interior variants:

Pine with triple coat finish or white paint finish

Variants

Cladding variants:

Grey aluminium, titanium zinc, copper or other cladding types and colours

Pane variants:

(--59) Toughened outer pane

(--73) Toughened outer pane with clear and clean coating and laminated inner pane for additional safety

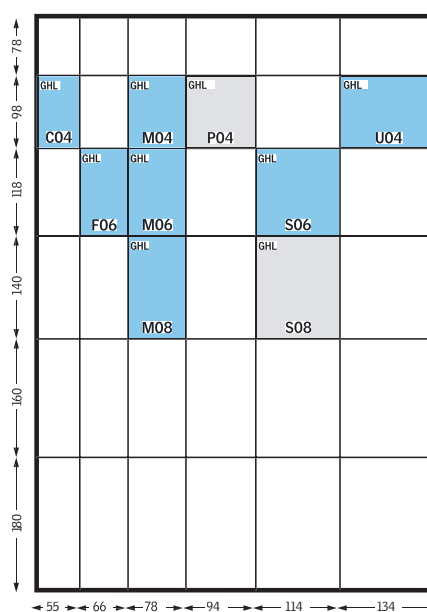
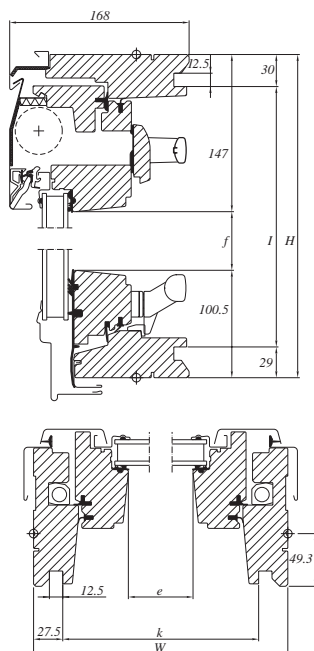
For more pane variants see section 8.

Technical data – GHL

Measurements (mm)

Size	Exterior frame W x H	Visible glass e x f	Lining rebate k x l
C04	550 x 978	373 x 730	495 x 919
F06	660 x 1178	483 x 930	605 x 1119
M04	780 x 978	603 x 730	725 x 919
M06	780 x 1178	603 x 930	725 x 1119
M08	780 x 1398	603 x 1150	725 x 1339
P04	942 x 978	765 x 730	887 x 919
S06	1140 x 1178	963 x 930	1085 x 1119
S08	1140 x 1398	963 x 1150	1085 x 1339
U04	1340 x 978	1163 x 730	1285 x 919

Cross-section/measurements (mm)



Sizes (cm)

VELUX GB/Ireland product programme

Technical data

Size	C04	F06	M04	M06▲	M08▲	P04▲	S06▲	S08▲	U04▲
Ventilation flap – free area [10 ³ mm ²]	2.8	3.5	4.3	4.3	4.3	5.4	6.8	6.8	8.1
Ventilation flap – equivalent area [10 ³ mm ²]*	2.6	3.1	3.7	3.7	3.7	4.6	5.6	5.6	6.6
Ventilation – open window [m ²]	0.35	0.57	0.55	0.69	0.84	0.68	1.05	1.28	0.99
Effective daylight area [m ²]	0.27	0.45	0.44	0.56	0.69	0.56	0.90	1.11	0.85

*Measured to EN 13141-1

▲ Suitable for emergency escape.

Pane variant	--59	--73	EN/ISO Standard
Thermal transmittance, U _w [W/m ² K]	14	14	EN ISO 12567-2
Sound insulation, R _w [dB]	32	35	EN ISO 140-3/EN ISO 717-1
Air permeability	Class 3	Class 3	EN 12207
Light transmittance, τ _v	0.77	0.77	EN 410
Total solar energy transmittance, g	0.60	0.54	EN 410