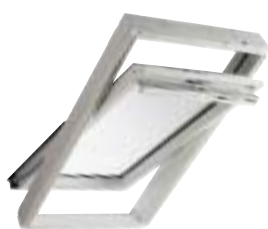


Centre-pivot white polyurethane finish roof window – GGU



Centre-pivot window with timber core and two coats of white polyurethane lacquer finish.



GGU roof window can be installed in roof pitches between 15° and 90° with the recommended installation height the same as the GGL. The elegant white polyurethane window is resistant to humidity and condensation making it particularly suited for use in a kitchen or bathroom.

Application

The centre-pivot window features a control bar which, when operated opens the ventilation flap. The friction hinges keep the window in an open position.

Features

The control bar at the top of the window sash opens the ventilation flap and the window.

Operation

The window can be opened 5° and kept in locked position for ventilation. In addition, the sash can be fully rotated and kept in locked position for easy cleaning of the exterior pane.

10 year VELUX guarantee.

Guarantee

GGU can be combined with:

Flashings for

- Single installation
- Twin installation
- Combi installation



Interior sunscreening

- Blackout blinds
- Roller blinds
- Pleated blinds
- Venetian blinds



Controls

- Rod
- Electrical



Exterior sunscreening

- Awning blind
- Roller shutter



Installation products

- Insulation collar
- Underfelt collar
- Vapour barrier



Additional accessories

- Insect screen



Combinations

Interior variants:

Pine with double lacquer finish or white paint finish

Variants

Cladding variants:

Grey aluminium, titanium zinc, copper or other cladding types and colours

Pane variants:

- (--59) Toughened outer pane
- (--34) Obscure glazing, toughened outer pane
- (--73) Toughened outer pane with clear and clean coating and laminated inner pane for additional safety
- (--60) Improved U-value and greater noise reduction. Toughened outer pane with clear and clean coating and laminated inner pane for additional safety
- (--65) Triple glazing, lowest U-value and noise reduction. Laminated inner pane with clear and clean coating on toughened outer pane

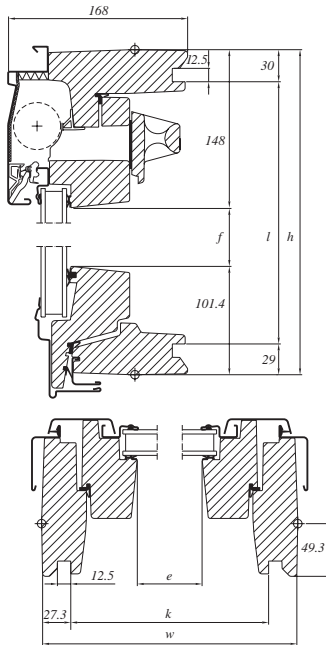
For more pane variants see section 8.

Technical data – GGU

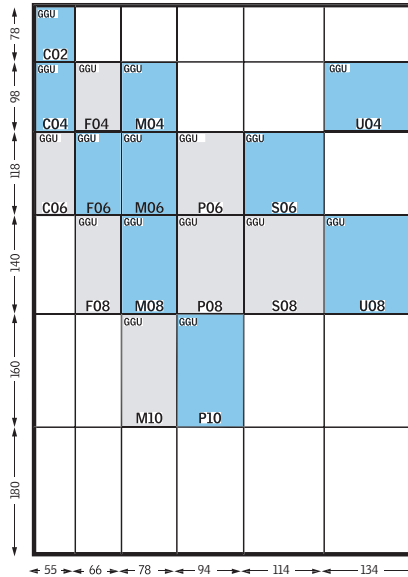
Measurements (mm)

Size	Exterior frame W x H	Visible glass e x f	Lining rebate k x l
C02	550 x 778	371 x 529	495 x 719
C04	550 x 978	371 x 729	495 x 919
C06	550 x 1178	371 x 929	495 x 1119
F06	660 x 1178	481 x 929	605 x 1119
F08	660 x 1398	481 x 1149	605 x 1339
M04	780 x 978	601 x 729	725 x 919
M06	780 x 1178	601 x 929	725 x 1119
M08	780 x 1398	601 x 1149	725 x 1339
M10	780 x 1600	601 x 1351	725 x 1541
P06	942 x 1178	763 x 929	887 x 1119
P08	942 x 1398	763 x 1149	887 x 1339
P10	942 x 1600	763 x 1351	887 x 1541
S06	1140 x 1178	961 x 929	1085 x 1119
S08	1140 x 1398	961 x 1149	1085 x 1339
U04	1340 x 978	1161 x 729	1285 x 919
U08	1340 x 1398	1161 x 1149	1285 x 1339

Cross-section/measurements (mm)



Sizes (cm)



VELUX GB/Ireland product programme

Technical data

Size	C02	C04	C06	F06	F08	M04	M06	M08	M10	P06	P08	P10	S06	S08	U04	U08
Ventilation flap – free area [10 ³ mm ²]	2.8	2.8	2.8	3.5	3.5	4.3	4.3	4.3	4.3	5.4	5.4	5.4	6.8	6.8	8.1	8.1
Ventilation flap – equivalent area [10 ³ mm ²]*	2.6	2.6	2.6	3.1	3.1	3.7	3.7	3.7	3.7	4.6	4.6	4.6	5.6	5.6	6.6	6.6
Ventilation – open window manual [m ²]	0.24	0.33	0.42	0.53	0.65	0.51	0.64	0.79	0.92	0.80	0.98	1.15	0.99	1.22	0.94	1.45
Ventilation – open window INTEGRA [m ²]	0.16	0.17	0.17	0.20	0.21	0.23	0.24	0.25				0.30	0.34		0.39	
Effective daylight area [m ²]	0.20	0.27	0.34	0.45	0.55	0.44	0.56	0.69	0.81	0.71	0.88	1.03	0.89	1.10	0.85	1.33

*Measured to EN 13141-1

Pane variant	--34	--59	--60	--65	--73	EN/ISO Standard
Thermal transmittance, U _w [W/m ² K]	1.4	1.4	1.3	1.1	1.4	EN ISO 12567-2
Sound insulation, R _w [dB]	32	32	37	3.5	35	EN ISO 140-3/EN ISO 717-1
Air permeability	Class 3	Class 3	Class 3	Class 3	Class 3	EN 12207
Light transmittance, τ _v	0.75	0.77	0.62	0.67	0.77	EN 410
Total solar energy transmittance, g	0.54	0.60	0.29	0.45	0.54	EN 410

Section 3.01.03