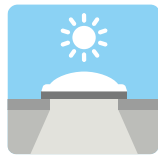


CFP/CVP Flat roof windows



Innovative new VELUX solution for bringing large amounts of daylight into a flat roof.

Application

Entire window achieves a low U-value of 1.4W/m²K.

Features

Excellent sound insulation from rain and hail.

Polycarbonate cover designed simply to protect the double glazed unit below from rain and snow.

Polycarbonate cover available in clear or opaque.

Double glazed glass unit has a toughened outer pane and laminated inner pane for additional safety.

Kerb and sash made of extruded hard PVC profiles.

Available in 6 sizes with kerb height of 150mm.

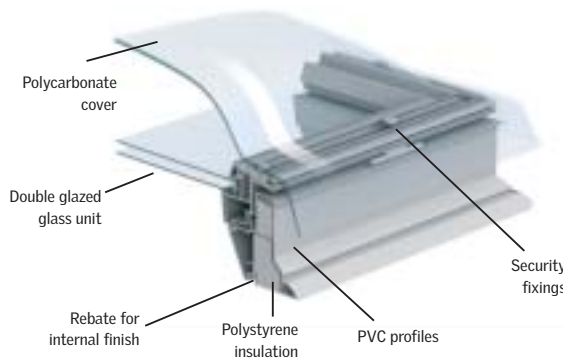
Available fixed (without background ventilation) or INTEGRA[®] electrically operated with hidden motor.

Operation

Rain sensor closes window automatically with INTEGRA[®] electric version.

10 year VELUX guarantee for the windows, panes and kerbs.
3 year guarantee for the electrical items and blinds.

Guarantee



CFP/CVP can be combined with:

Controls
• Electrical



Interior sunscreening
• FMG Electric pleated blind



Combinations

Polycarbonate cover variants:
Clear or opaque

Variants

Ventilation variants:
CFP – fixed – no ventilation
CVP – INTEGRA[®] electric

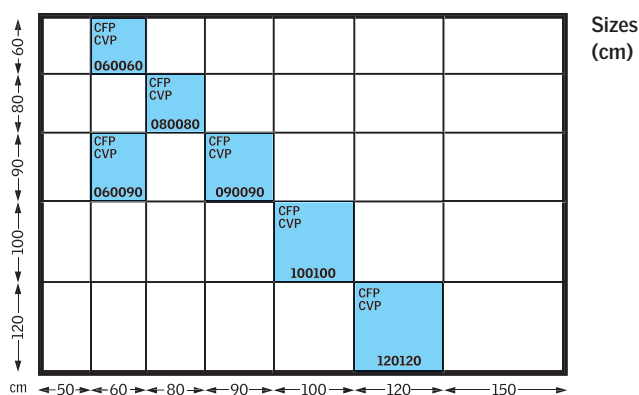
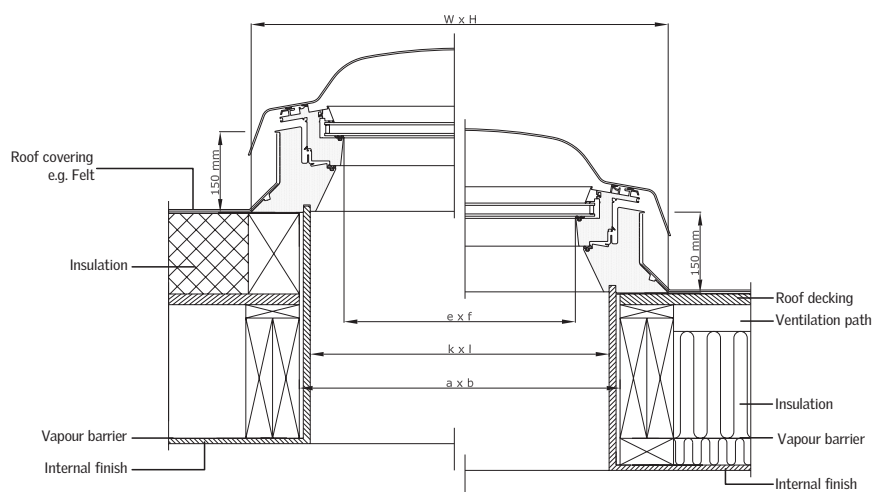
Section 3.09.03

Technical data – CFP/CVP

Measurements (mm)

Size	Exterior frame W x H	Roof opening a x b	Visible glass e x f	Lining rebate k x l
060060	780 x 780	600 x 600	435 x 435	559 x 559
060090	780 x 1080	600 x 900	435 x 735	559 x 859
080080	980 x 980	800 x 800	635 x 635	759 x 759
090090	1080 x 1080	900 x 900	735 x 735	859 x 859
100100	1180 x 1180	100 x 100	835 x 835	959 x 959
120120	1380 x 1380	120 x 120	1035 x 1035	1159 x 1159

Cross-section/measurements (mm)



VELUX GB/Ireland product programme

Technical data

Size	060060	060090	080080	090090	100100	120120
Ventilation – open window [m ²] (CVP only)	0.09	0.10	0.11	0.13	0.14	0.17
Effective daylight area [m ²]	0.19	0.32	0.40	0.54	0.70	1.07

Pane variant	CFP clear	CFP opaque	CVP clear	CVP opaque	EN/ISO Standard
Thermal transmittance, U _w [W/m ² K]	1.4	1.4	1.4	1.4	EN ISO 12567-2
Sound insulation, R _w [dB]	27	27	27	27	EN ISO 717-1: 1996
Air permeability	N/A	N/A	Class 4	Class 4	EN 12207
Luminous transmittance, τ _{0.65}	0.71	0.20	0.71	0.20	EN 1873: 2005
Total solar energy transmittance, g	0.52	0.19	0.52	0.19	EN 410