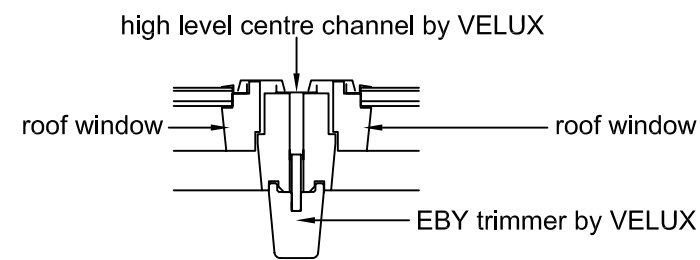
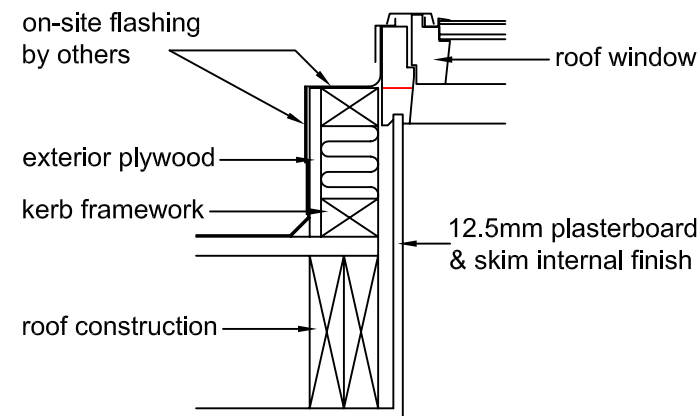


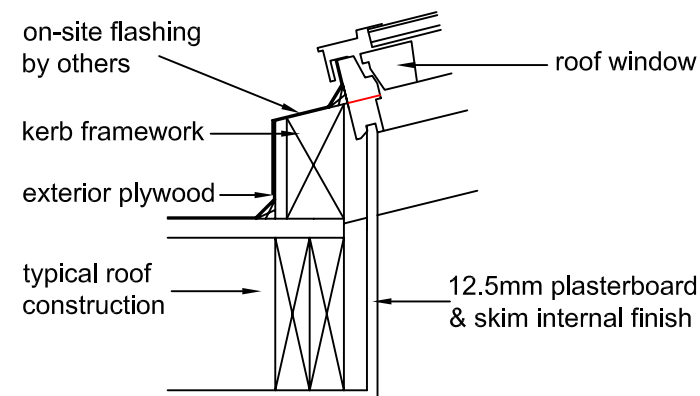
RIDGE DETAIL 1:10



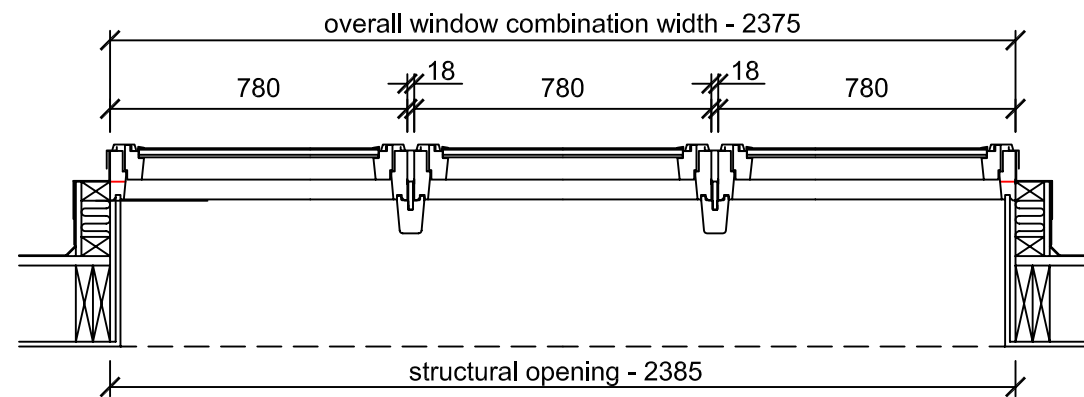
JUNCTION DETAIL 1:10



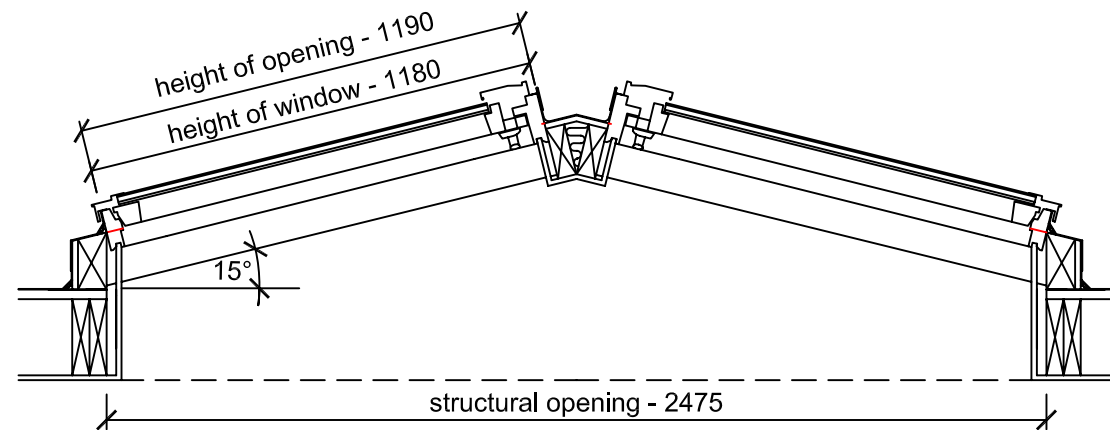
SIDE FRAME DETAIL 1:10



SILL DETAIL 1:10



LONGITUDINAL SECTION 1:20



CROSS SECTION 1:20



PRODUCT SPECIFICATION

For timber finish windows:
6 x GGL M06 307321U
2 x EBY W27 3000

For white PU finish windows:
6 x GGU M06 007321U
2 x EBY W27 2000

Flashing components:
4 x high level channels
(product code - 766189-060)
6 x special head flashings
(product code - 606189-M0)
4 x fixing bracket sets
(product code - 7903060)

NOTES:

Vapour barriers not shown for clarity.

Standard installation brackets supplied to be used for fixing of windows. Do not use brackets supplied with EBY trimmer. Instead, screw fix EBY to kerb framework/ ridge beam behind line of internal finish.

Framework to be 75x50mm min, but final size will depend on thermal requirements of kerb.

Ridge beams to be 135 x 50mm min.

15mm min. exterior grade plywood to be used for casing. Upper surface of casing to be level with installation bracket level of window (red line).

Other types/sizes/combinations of windows are possible. For details, please contact VELUX technical department:
tel: 01592 778 250
email: specification@VELUX.co.uk
or visit:
www.VELUX.co.uk

The appropriate Building Regulations must be complied with when installing VELUX windows.

It is recommended that this drawing is not used for securing Building Regulation approval, as it represents a typical installation detail only.

VELUX Co Ltd **VELUX**

Atrium Detail

Scales: as shown when printed @ A3