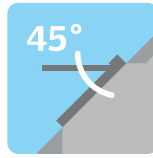


# Top-hung white polyurethane finish roof window – GPU



Top-hung roof window with timber core and two coats of white polyurethane lacquer finish.



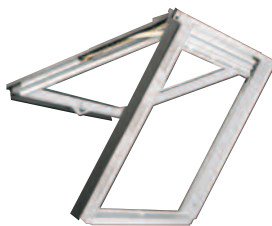
GPU roof window can be installed in roof pitches between 15° and 55° (with special springs up to 75°).

The maintenance free polyurethane surface makes the window resistant to humidity and condensation. It is therefore ideal for kitchens, bathrooms, shower rooms, etc.

Some sizes of GPU meet Building Regulation requirements for emergency escape. Please refer to 2.10.00 for further details.

Emergency escape roof windows should not be fitted with locks, restrictors, shutters or any other product that will restrict their use.

## Application



Top-hung window with control bar, ventilation flap with air filter. Windows stay open to any position up to 45°.

## Features

Barrel bolt for keeping the window locked in cleaning position.

The handle at the bottom sash can keep the window in ventilation position.

The smooth surface is without joints and edges, making the roof window very easy to clean.

## Operation

The window can be opened by means of a handle placed at the bottom sash.

The control bar at the top of the window sash is used for opening the ventilation flap or fully rotating the sash for cleaning of the exterior pane.

10 year VELUX guarantee.

## Guarantee

### GPU can be combined with:

- Flashings for**
- Single installation
  - Twin installation
  - Combi installation



### Interior sunscreening

- Blackout blinds
- Roller blinds
- Pleated blinds
- Venetian blinds



- Controls**
- Rod
  - Electrical



### Exterior sunscreening

- Awning blind
- Roller shutter



- Installation products**
- Insulation collar
  - Underfelt collar
  - Vapour barrier



### Additional accessories

- Insect screen



## Combinations

### Interior variants:

Timber core with two coats of white polyurethane lacquer finish

## Variants

### Cladding variants:

Grey aluminium, titanium zinc, copper or other cladding types and colours

### Pane variants:

- (--59) Toughened outer pane
- (--34) Obscure glazing, toughened outer pane
- (--73) Toughened outer pane with clear and clean coating and laminated inner pane for additional safety
- (--60) Improved U-value and greater noise reduction. Toughened outer pane with clear and clean coating and laminated inner pane for additional safety
- (--65) Triple glazing, lowest U-value and noise reduction. Laminated inner pane with clear and clean coating on toughened outer pane

For more pane variants see section 8.

## Section 3.02.02

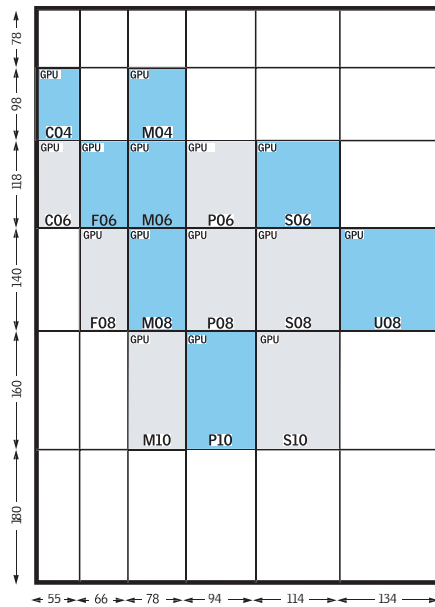
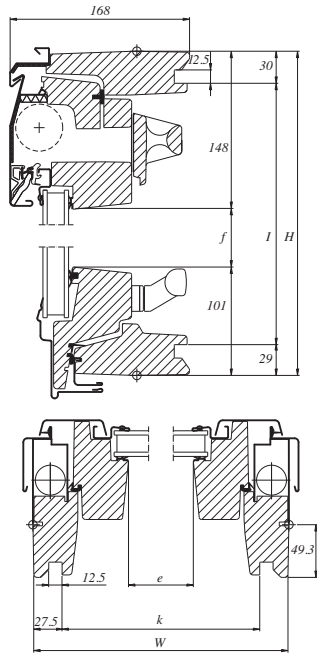
Products ▶ Roof windows ▶ Types ▶ GPU

# Technical data – GPU

## Measurements (mm)

| Size | Exterior frame | Visible glass | Lining rebate |
|------|----------------|---------------|---------------|
|      | W x H          | e x f         | k x l         |
| C04  | 550 x 978      | 371 x 729     | 495 x 919     |
| C06  | 550 x 1178     | 371 x 929     | 495 x 1119    |
| F06  | 660 x 1178     | 481 x 929     | 605 x 1119    |
| F08  | 660 x 1398     | 481 x 1149    | 605 x 1339    |
| M04  | 780 x 978      | 601 x 729     | 725 x 919     |
| M06  | 780 x 1178     | 601 x 929     | 725 x 1119    |
| M08  | 780 x 1398     | 601 x 1149    | 725 x 1339    |
| M10  | 780 x 1600     | 601 x 1351    | 725 x 1541    |
| P06  | 942 x 1178     | 763 x 929     | 887 x 1119    |
| P08  | 942 x 1398     | 763 x 1149    | 887 x 1339    |
| P10  | 942 x 1600     | 763 x 1351    | 887 x 1541    |
| S06  | 1140 x 1178    | 961 x 929     | 1085 x 1119   |
| S08  | 1140 x 1398    | 961 x 1149    | 1085 x 1339   |
| S10  | 1140 x 1600    | 961 x 1351    | 1085 x 1541   |
| U08  | 1340 x 1398    | 1161 x 1149   | 1285 x 1339   |

## Cross-section/measurements (mm)



## Sizes (cm)

VELUX GB/Ireland product programme

## Technical data

| Size   | C04  | C06▲ | F06▲ | F08▲ | M04▲ | M06▲ | M08▲ | M10▲ | P06▲ | P08▲ | P10▲ | S06▲ | S08▲ | S10▲ | U08▲ |
|--|------|------|------|------|------|------|------|------|------|------|------|------|------|------|------|
| Ventilation flap – free area [10 <sup>3</sup> mm <sup>2</sup> ]        | 2.8  | 2.8  | 3.5  | 3.5  | 4.3  | 4.3  | 4.3  | 4.3  | 5.4  | 5.4  | 5.4  | 6.8  | 6.8  | 6.8  | 8.1  |
| Ventilation flap – equivalent area [10 <sup>3</sup> mm <sup>2</sup> ]* | 2.6  | 2.6  | 3.1  | 3.1  | 3.7  | 3.7  | 3.7  | 3.7  | 4.6  | 4.6  | 4.6  | 5.6  | 5.6  | 5.6  | 6.6  |
| Ventilation – open window [m <sup>2</sup> ]                            | 0.35 | 0.44 | 0.57 | 0.70 | 0.55 | 0.69 | 0.84 | 0.98 | 0.85 | 1.04 | 1.21 | 1.05 | 1.28 | 1.49 | 1.52 |
| Effective daylight area [m <sup>2</sup> ]                              | 0.27 | 0.34 | 0.45 | 0.55 | 0.44 | 0.56 | 0.69 | 0.81 | 0.71 | 0.88 | 1.03 | 0.89 | 1.10 | 1.30 | 1.33 |

\*Measured to EN 13141-1

▲ Suitable for emergency escape.

| Pane variant   | --34    | --59    | --73    | --60    | --65    | EN/ISO Standard           |
|--|---------|---------|---------|---------|---------|---------------------------|
| Thermal transmittance, U <sub>w</sub> [W/m <sup>2</sup> K] | 1.4     | 1.4     | 1.4     | 1.3     | 1.0     | EN ISO 12567-2            |
| Sound insulation, R <sub>w</sub> [dB]                      | 32      | 32      | 35      | 37      | 35      | EN ISO 140-3/EN ISO 717-1 |
| Air permeability   | Class 3 | Class 3 | Class 3 | Class 3 | Class 3 | EN 12207                  |
| Light transmittance, τ <sub>v</sub>                        | 0.75    | 0.77    | 0.77    | 0.62    | 0.68    | EN 410                    |
| Total solar energy transmittance, g                        | 0.54    | 0.60    | 0.54    | 0.29    | 0.46    | EN 410                    |

## Section 3.02.03