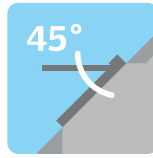


# Top hung pine finish roof window – GPL



Top-hung roof window.



GPL roof window can be installed in roof pitches between 15° and 55° (with special springs up to 75°).

Certain sizes of GPL window meet the Building Regulations for emergency escape. For further details see 2.10.00.

Emergency escape roof windows should not be fitted with locks, restrictors, shutters or any other product that will restrict their use.

## Application



Top-hung window with control bar, ventilation flap with air filter. Windows stay open to any position up to 45°.

## Features

Barrel bolt for keeping the window locked in cleaning position.

The handle at the bottom sash can keep the window in ventilation position.

## Operation

The window is opened by means of a handle placed at the bottom sash.

The control bar at the top of the window sash is used for opening the ventilation flap or for fully rotating the sash for cleaning of the exterior pane.

## Guarantee

10 year VELUX guarantee.

## Combinations

### GPL can be combined with:

- Flashings for**
- Single installation
  - Twin installation
  - Combi installation



### Interior sunscreening

- Blackout blinds
- Roller blinds
- Pleated blinds
- Venetian blinds



### Controls

- Rod
- Electrical



### Exterior sunscreening

- Awning blind
- Roller shutter



### Installation products

- Insulation collar
- Underfelt collar
- Vapour barrier



### Additional accessories

- Insect screen



## Variants

### Interior variants:

Pine with double lacquer finish or white paint finish

### Cladding variants:

Grey aluminium, titanium zinc, copper or other cladding types and colours

### Pane variants:

(--59) Toughened outer pane

(--73) Toughened outer pane with clear and clean coating and laminated inner pane for additional safety

(--60) Improved U-value and greater noise reduction. Toughened outer pane with clear and clean coating and laminated inner pane for additional safety

(--65) Triple glazing, lowest U-value and noise reduction. Laminated inner pane with clear and clean coating on toughened outer pane

For more pane variants see section 8.

## Section 3.02.00

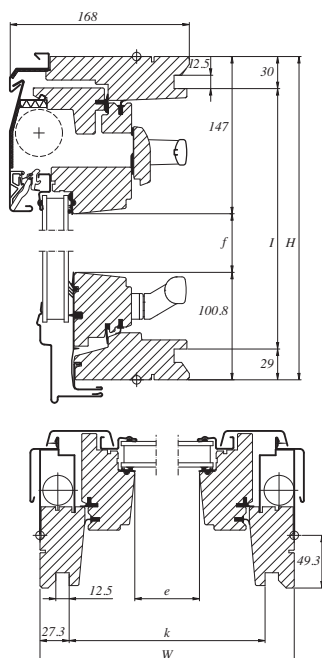
Products ▶ Roof windows ▶ Types ▶ GPL

# Technical data – GPL

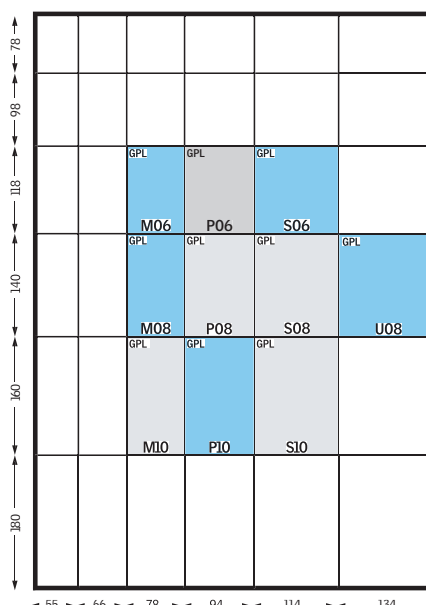
## Measurements (mm)

Size	Exterior frame W x H	Visible glass e x f	Lining rebate k x l
M06	780 x 1178	603 x 930	725 x 1119
M08	780 x 1398	603 x 1150	725 x 1339
M10	780 x 1600	603 x 1352	725 x 1541
P06	942 x 1178	765 x 930	887 x 1119
P08	942 x 1398	765 x 1150	887 x 1339
P10	942 x 1600	765 x 1352	887 x 1541
S06	1140 x 1178	963 x 930	1085 x 1119
S08	1140 x 1398	963 x 1150	1085 x 1339
S10	1140 x 1600	963 x 1352	1085 x 1541
U08	1340 x 1398	1163 x 1150	1285 x 1339

## Cross-section/measurements (mm)



## Sizes (cm)



VELUX GB/Ireland product programme

## Technical data

Size	M06▲	M08▲	M10▲	P06▲	P08▲	P10▲	S06▲	S08▲	S10▲	U08▲
Ventilation flap – free area [10 <sup>3</sup> mm <sup>2</sup> ]	4.3	4.3	4.3	5.4	5.4	5.4	6.8	6.8	6.8	8.1
Ventilation flap – equivalent area [10 <sup>3</sup> mm <sup>2</sup> ]*	3.7	3.7	3.7	4.6	4.6	4.6	5.6	5.6	5.6	6.6
Ventilation – open window [m <sup>2</sup> ]	0.69	0.84	0.98	0.85	1.04	1.21	1.05	1.28	1.49	1.52
Effective daylight area [m <sup>2</sup> ]	0.56	0.69	0.82	0.71	0.88	1.03	0.90	1.11	1.30	1.34

\*Measured to EN 13141-1

▲ Suitable for emergency escape.

Pane variant	--59	--73	--60	--65	EN/ISO Standard
Thermal transmittance, U <sub>w</sub> [W/m <sup>2</sup> K]	1.4	1.4	1.3	1.1	EN ISO 12567-2
Sound insulation, R <sub>w</sub> [dB]	32	35	37	35	EN ISO 140-3/EN ISO 717-1
Air permeability	Class 3	Class 3	Class 3	Class 3	EN 12207
Light transmittance, τ <sub>v</sub>	0.77	0.77	0.62	0.67	EN 410
Total solar energy transmittance, g	0.60	0.54	0.29	0.45	EN 410

## Section 3.02.01