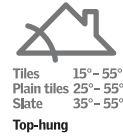
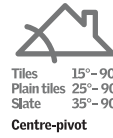


# Conservation roof window system



Centre-pivot and top-hung windows.



The VELUX conservation roof window system offers all the superior technical features of a VELUX roof window but in a traditional conservation style. It allows you to make the area under the roof truly habitable – not previously possible with a rooflight. The system blends in perfectly in sensitive conservation areas with its:

- mullion (central glazing bar)
- recessed installation (slate roof only)
- external black metal work.

## Application

### Centre-pivot

Consisting of a GGL centre-pivot roof window with vertical glazing bar and associated flashing. Three different versions are available depending on the roofing material:

- for slate up to a maximum thickness of 8mm with roof pitches of 35°-90°.
- for profiled roofing material up to a maximum of 120mm in profile with roof pitches of 15°-90°.
- for plain tiles up to 15mm thick with roof pitches of 25°-90°.

## Features

### Top-hung

An emergency escape system is also available which includes a GHL top-hung window with vertical glazing bar and associated flashing. Again choose from the variants listed above depending on roofing material and roof pitch for GHL.

Now possible to purchase separate conservation glazing bars for standard VELUX windows to create a traditional style appearance.

## Options

See section 3.01.00 for GGL and section 3.02.04 for GHL.

## Operation

10 year VELUX guarantee.

## Guarantee

Conservation roof window system can be combined with:

#### Flashings for

- Single installation
- Twin installation – tile only
- Combi installation – slate/tile only



#### Interior sunscreening

- Blackout blinds
- Roller blinds
- Pleated blinds
- Venetian blinds



#### Controls

- Rod
- Electrical



#### Exterior sunscreening

- Awning blind
- Roller shutter



#### Installation products

- Insulation collar
- Underfelt collar
- Vapour barrier



#### Additional accessories

- Insect screen



## Combinations

#### Interior variants:

Pine with triple coat finish or white paint finish

#### Cladding variants:

Black aluminium, titanium zinc, copper or other cladding types and colours

#### Pane variants:

(--59) Toughened outer pane

For more pane variants see section 8.

## Variants

## Section 3.07.00

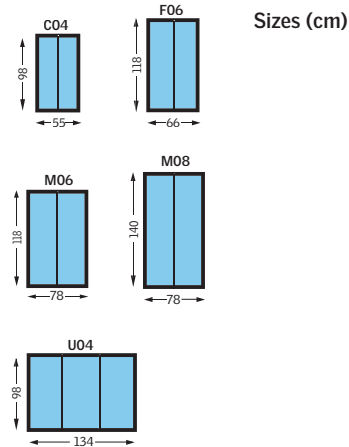
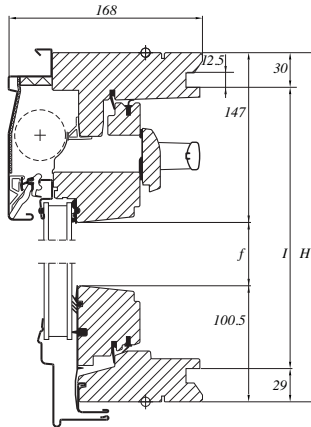
Products ► Roof windows ► Types ► Conservation

# Technical data – Conservation roof window system

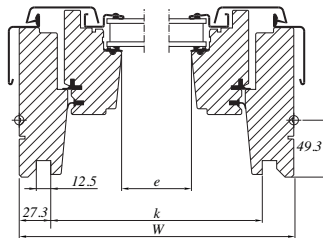
## Measurements (mm)

Size	Exterior frame W x H	Visible glass e x f	Lining rebate k x l
C04	550 x 978	373 x 730	495 x 919
F06	660 x 1178	483 x 930	605 x 1119
M06	780 x 1178	603 x 930	725 x 1119
M08	780 x 1398	603 x 1150	725 x 1339
U04	1340 x 978	1163 x 730	1285 x 919

## Cross-section/measurements (mm)



VELUX GB/Ireland product programme.  
Other sizes/types available to order.



## Technical data

	Size	C04	F06	GGL M06	M08	U04	GHL M08
Ventilation flap – free area [10 <sup>3</sup> mm <sup>2</sup> ]		2.8	3.5	4.3	4.3	8.1	4.3
Ventilation flap – equivalent area [10 <sup>3</sup> mm <sup>2</sup> ]*		2.6	3.1	3.7	3.7	6.6	3.7
Ventilation – open window [m <sup>2</sup> ]		0.33	0.53	0.64	0.79	0.94	0.84
Effective daylight area [m <sup>2</sup> ]		0.27	0.45	0.56	0.69	0.85	0.69

\*Measured to EN 13141-1

Pane variant	--59	EN/ISO Standard
Thermal transmittance, U <sub>w</sub> [W/m <sup>2</sup> K]	1.4	EN ISO 12567-2
Sound insulation, R <sub>w</sub> [dB]	32	EN ISO 140-3/EN ISO 717-1
Air permeability	Class 3	EN 12207
Light transmittance, τ <sub>v</sub>	0.77	EN 410
Total solar energy transmittance, g	0.60	EN 410