

Roof window balcony system, pine finish – GDL CABRIO®

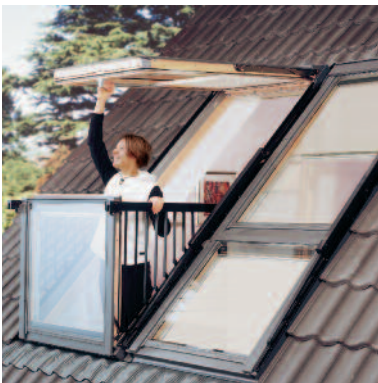


The GDL CABRIO roof balcony window can be used on its own in roof pitches 35° and 53°. It can also be used, to great effect, in conjunction with a combination comprising GPL top-hung and GIL fixed lower window elements. Further combinations are also available.

Application

The GDL upper sash and GPL can open up to 45° and have control bars, ventilation flaps with air filters and barrel bolts to secure the sash when reversed for cleaning. The GDL bottom sash has integral railings which automatically slide into place.

Features



Comprising of GDL, GPL and GIL roof windows, the system retains all the functions of a VELUX roof window. The GDL CABRIO balcony opens and closes easily on powerful, spring assisted hinges.

Operation

GDL CABRIO upper element and GPL are opened by means of a handle on the bottom of the sash. The control bar at the top of the sash is used to open the ventilation flap or to fully rotate the window into the cleaning position. When pushed gently forward into the vertical position the lower section of the GDL forms an instant balcony with side railings. GIL is a fixed window element which fits directly below the GPL.

10 year VELUX guarantee.

Guarantee

Combined roof window and balcony.

The CABRIO roof window balcony system can be combined with:

Flashings for

- Single installation
- Combi installation



Interior sunscreening

- Blackout blinds
- Roller blinds
- Pleated blinds
- Venetian blinds



Installation products

- Insulation collar
- Underfelt collar
- Vapour barrier



Exterior sunscreening

- Awning blind



Combinations

Interior variants:

Pine with triple coat finish or white paint finish

Variants

Cladding variants:

Grey aluminium, titanium zinc, copper or other cladding types and colours

Pane variants:

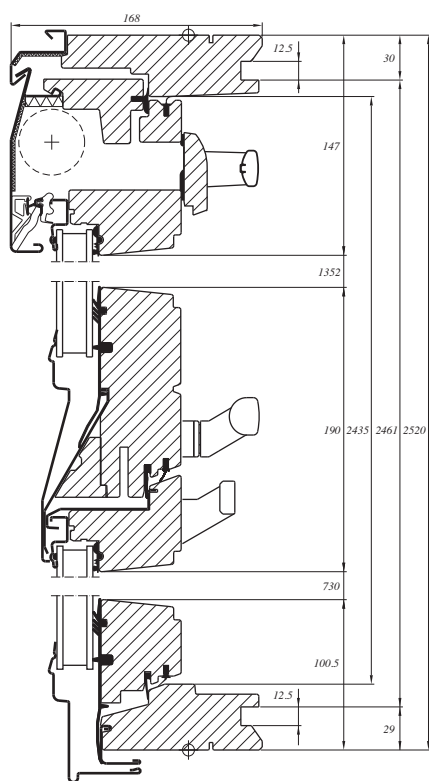
(--73) Toughened outer pane with clear and clean coating and laminated inner pane for additional safety

For more pane variants see section 8.

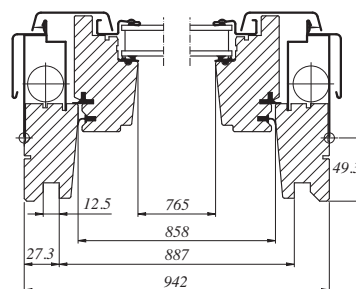
Technical data – GDL CABRIO®

Cross-section/
measures (mm)

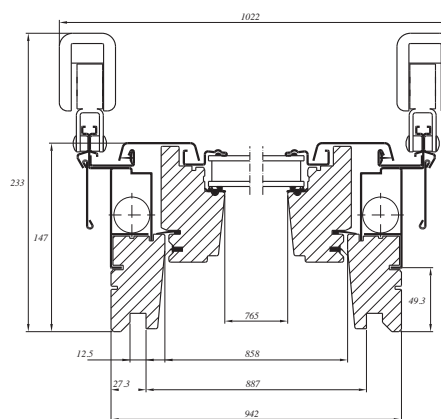
Vertical section



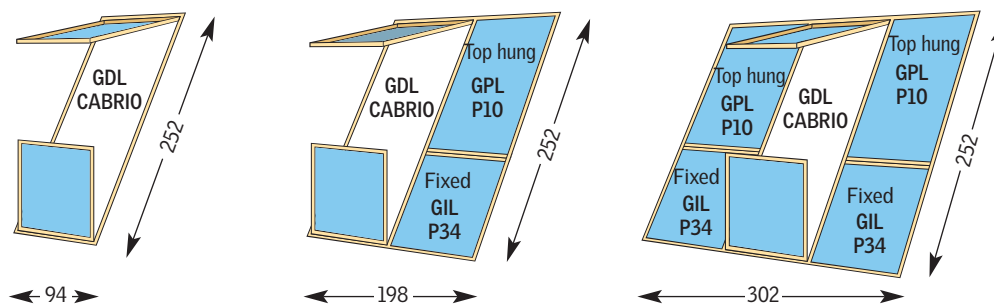
Horizontal section, top element



Horizontal section, bottom element



Sizes (cm)



Available in sets including flashings

VELUX GB/IRL product packages

Technical data

	Size	P19	P10	P34
Ventilation flap – free area [10 ³ mm ²]		5.4	5.4	–
Ventilation flap – equivalent area [10 ³ mm ²]*		4.6	4.6	–
Ventilation – open window [m ²]		2.09	1.30	–
Effective daylight area [m ²]		1.59	1.03	0.56

*Measured to EN 13141-1

Pane variant	--73	EN/ISO Standard
Thermal transmittance, U _v [W/m ² K]	1.6	EN ISO 12567-2
Sound insulation, R _w [dB]	35	EN ISO 140-3/EN ISO 717-1
Air permeability	Class 3	EN 12207
Light transmittance, τ _v	0.77	EN 410
Total solar energy transmittance, g	0.54	EN 410

Section 3.04.01